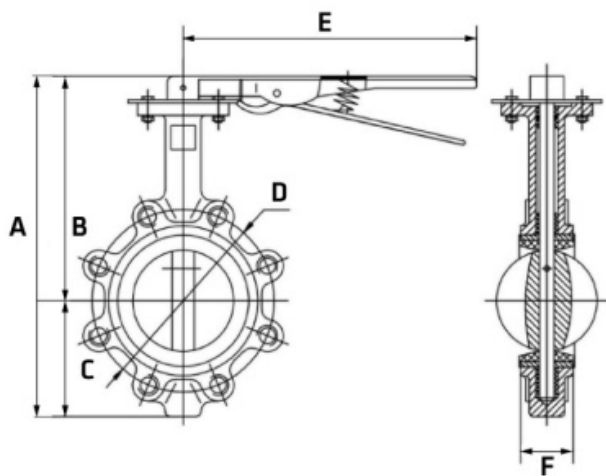


Lugged Butterfly Valve - Table E (EPDM)

Features:

- Cast iron
- Table E threaded bolt pattern (metric)
- EPDM seat (Temp. rating -35°C – 120°C)
- Resilient seated
- Nominal pressure: 1.6 MPa (16 bar)
- Aluminium handle with ten position stainless steel notch plate (SS316)
- CF8M disc (SS316)
- Epoxy resin powder paint according to ISO 21809
- For sizes DN250+, it is recommended to use with a gearbox for manual operation (kits available for purchase)



Code	Size	A (mm)	B (mm)	C (mm)	D (mm)	E (mm)	F (mm)
AA-VW80L/E	3"	308	212	96	146	220	44.2
AA-VW94L/E	4"	348	233	115	178	264	51.1
AA-VW96L/E	6"	397	258	139	235	260	54.8